

1

2

3

4

5

6

7

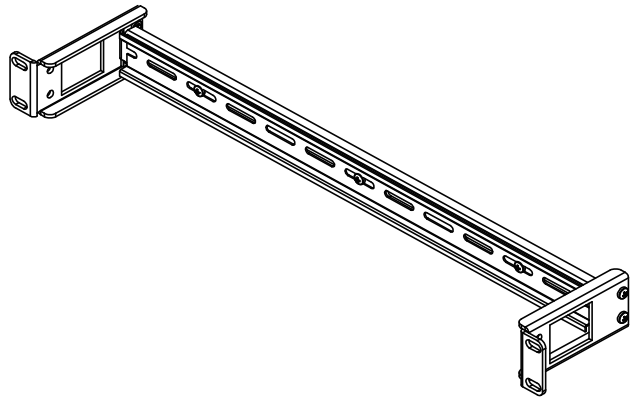
REV	DATE	MODIFICATION	DRAWN

A

A

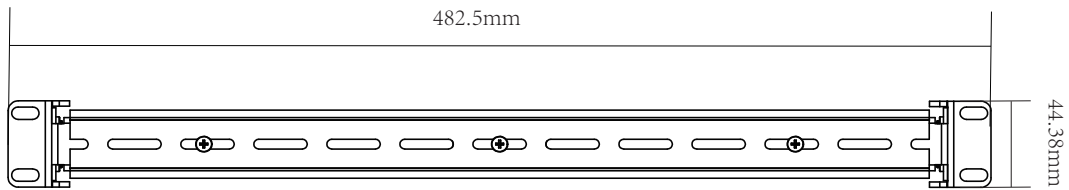
B

B



C

C



Description:
 1) 1u 19 inch DIN-35 rail panel

D

D

DIMENSION IN mm (Inch) TOLERANCE UNLESS OTHERWISE SPECIFIED		MATERIAL	DWG NO.	
.X±0.10	.X°±5°	TITLE		
.XX±0.05	.XX°±2°			
APPROVAL	CHECKED	DRAWN	SCALE 1/1	SHEET 1/
			PPDJ	

1

2

3

4

5

6

7